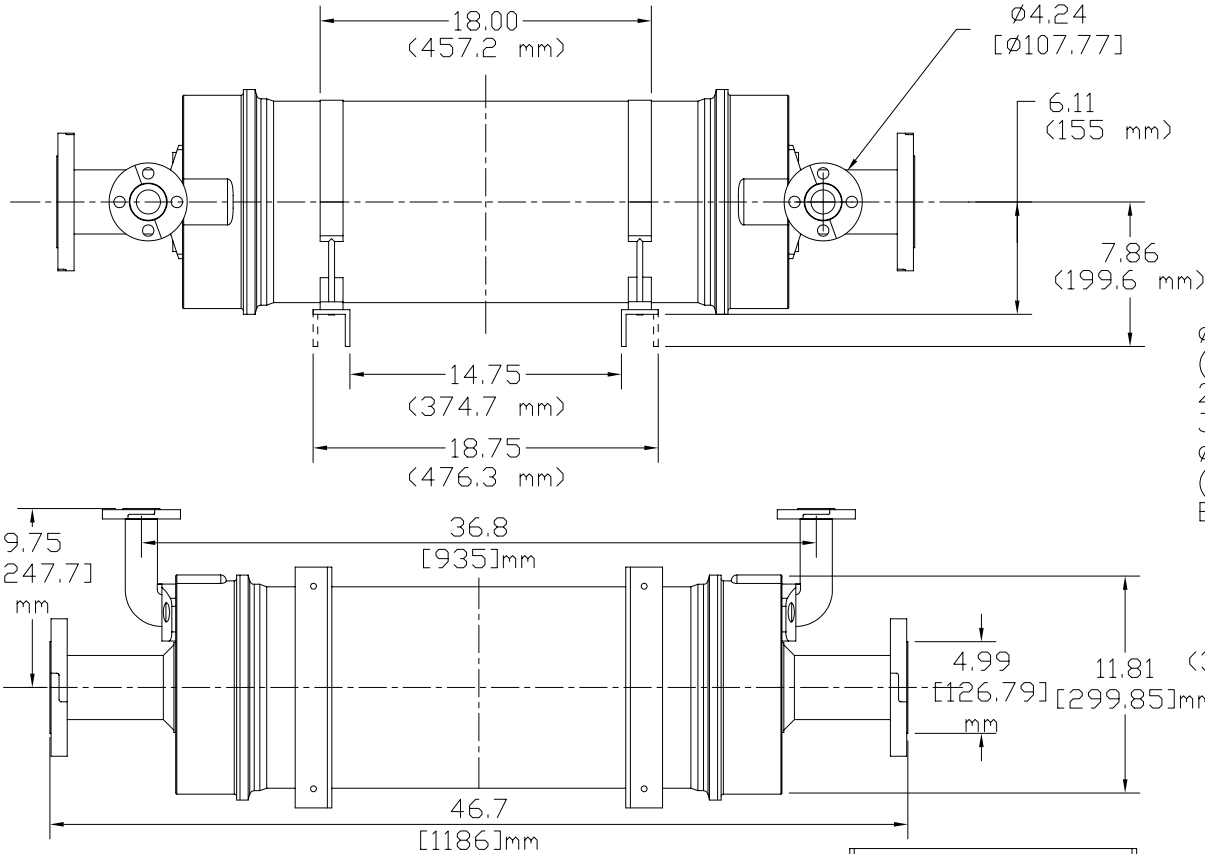
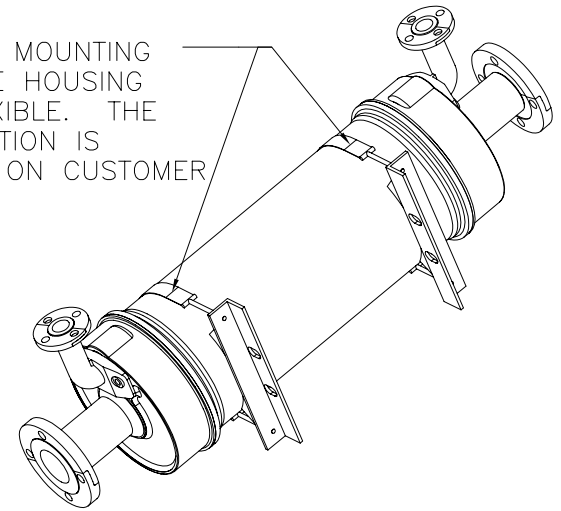
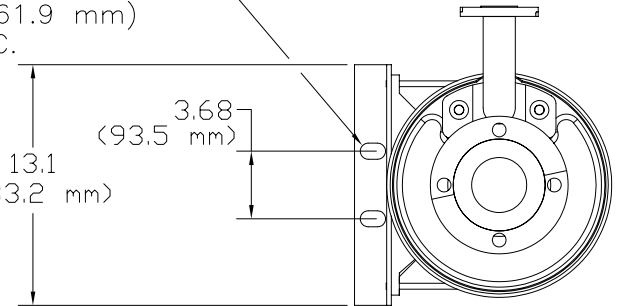


ANGULAR ORIENTATION OF THESE MOUNTING BRACKETS WITH RESPECT TO THE HOUSING CENTERLINE IS COMPLETELY FLEXIBLE. THE DECISION ON THE FINAL ORIENTATION IS THEREFORE TOTALLY DEPENDENT ON CUSTOMER HARDWARE CONFIGURATION.

THIS VESSEL HAS APPROXIMATELY 18.00 INCHES (457.2 mm) OF CONSISTENT DIAMETER FOR ATTACHING BRACKETS. THE BRACKETS CAN BE LOCATED ANYWHERE WITHIN THIS REGION.



Ø0.875 (22.2 mm)
2 EA. SPACED
30° APART ON
Ø14.25 (361.9 mm)
B.C.



ALL INFORMATION CONTAINED HEREIN IS CONFIDENTIAL AND THE PROPERTY OF MEMBRANA AND MAY BE USED FOR ANY PURPOSE OTHER THAN THE EXPRESS INTENT FOR WHICH IT WAS LOANED.

MEMBRANA
Underlining Performance

DRAWING NUMBER		REVISION
SMC-0110-12-5188		1

10" FRP ASS'Y SHOWING MOUNT BRK'TS AND DIM'S.

PLOTTED: