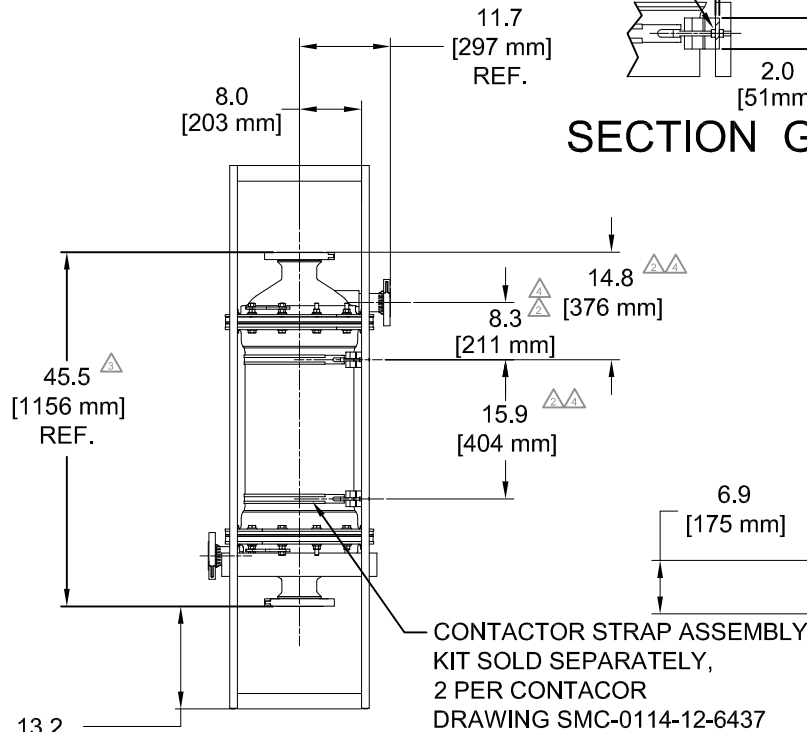


HEX NUTS PROVIDED WITH STRAP ASSEMBLY KIT
SEE DRAWING SMC-0114-12-6437

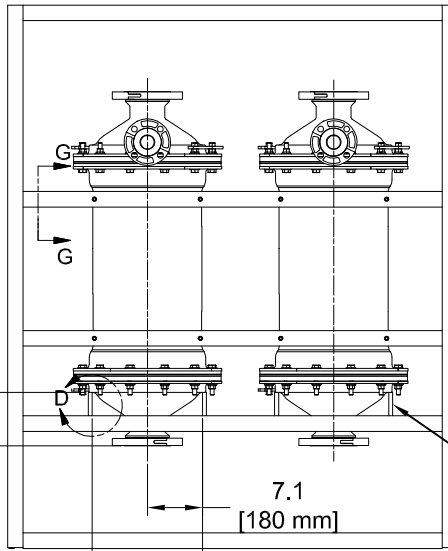
0.3 [8 mm] FLAT BAR BY CUSTOMER

LIFTING LUGS, TWO LOCATED TOP SIDE AND TWO BOTTOM SIDE FOR LIFTING CONTACTORS INTO POSITION TYPICAL

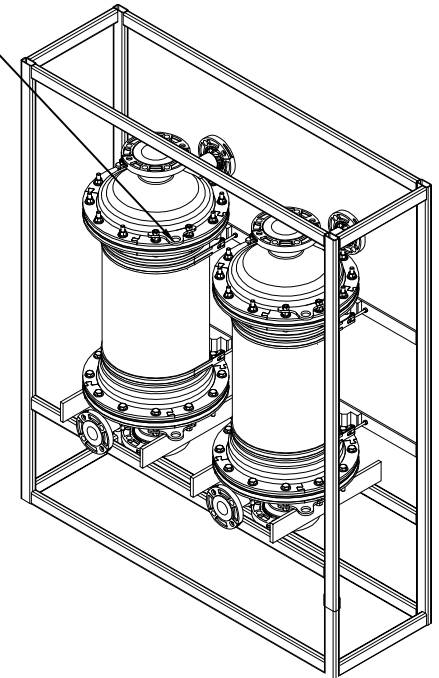
SECTION G-G



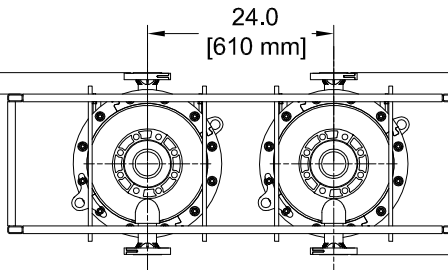
SIDE VIEW



FRONT VIEW



BASIC STRUCTURE, RECTANGULAR OR SQUARE TUBING, WELDED CONSTRUCTION BY CUSTOMER

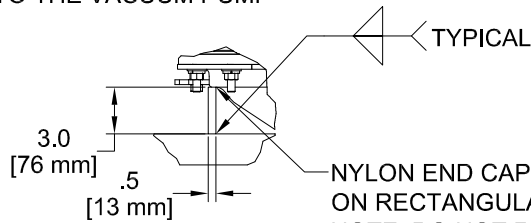


BOTTOM VIEW

13.2 [335 mm] MINIMUM FOR ELBOW TO FLOOR PROVIDE ADDITIONAL CLEARANCE TO ALLOW FOR SLOPE TO THE VACUUM PUMP

CONTACTOR STRAP ASSEMBLY KIT SOLD SEPARATELY, 2 PER CONTACTOR DRAWING SMC-0114-12-6437

BY CUSTOMER



DETAIL D

NYLON END CAP SHOULDER TO REST ON RECTANGULAR BARS, NOTE: DO NOT REST CONTACTOR ON END CAP BOLTING FLANGE

REV	DESCRIPTION	DRWN BY	CHKD BY	APVD BY	D R
1	ADDED DIMENSION	SDM			04-04
2	WAS 17.8, 7.4, 13.9, ADDED FORTH LIFTING LUG	EWB			07-06
3	WAS 45.8 REF., CORRECTED	EWB			03-08
4	METRIC CONVERSIONS	EWB			06-08

DIMENSIONAL TOLERANCES APPLY UNLESS OTHERWISE SPECIFIED	
DIMENSIONAL TOLERANCES-DIMENSIONS	DIMENSIONAL TOLERANCES-MILLIMETERS
1 DECIMAL PLACE ±.06	0 DECIMAL PLACES ±1.5
2 DECIMAL PLACES ±.02	1 DECIMAL PLACE ±.5
3 DECIMAL PLACES ±.008	2 DECIMAL PLACES ±.12

MEMBRANA Underlining Performance

DO NOT SCALE THIS DRAWING	THIRD ANGLE PROJECTION
DRAWN BY SDM	CHECKED BY
APPROVED BY	APPROVED BY
SUPERSEDED BY	SUPERSEDED BY

REQD	PART	DRAWING NUMBER	DESCRIPTION	MATERIAL	REMARKS

REF MACHINE

DRAWING TITLE 14 IN RECOMMENDED VERTICAL MOUNTING

PLOTTED: