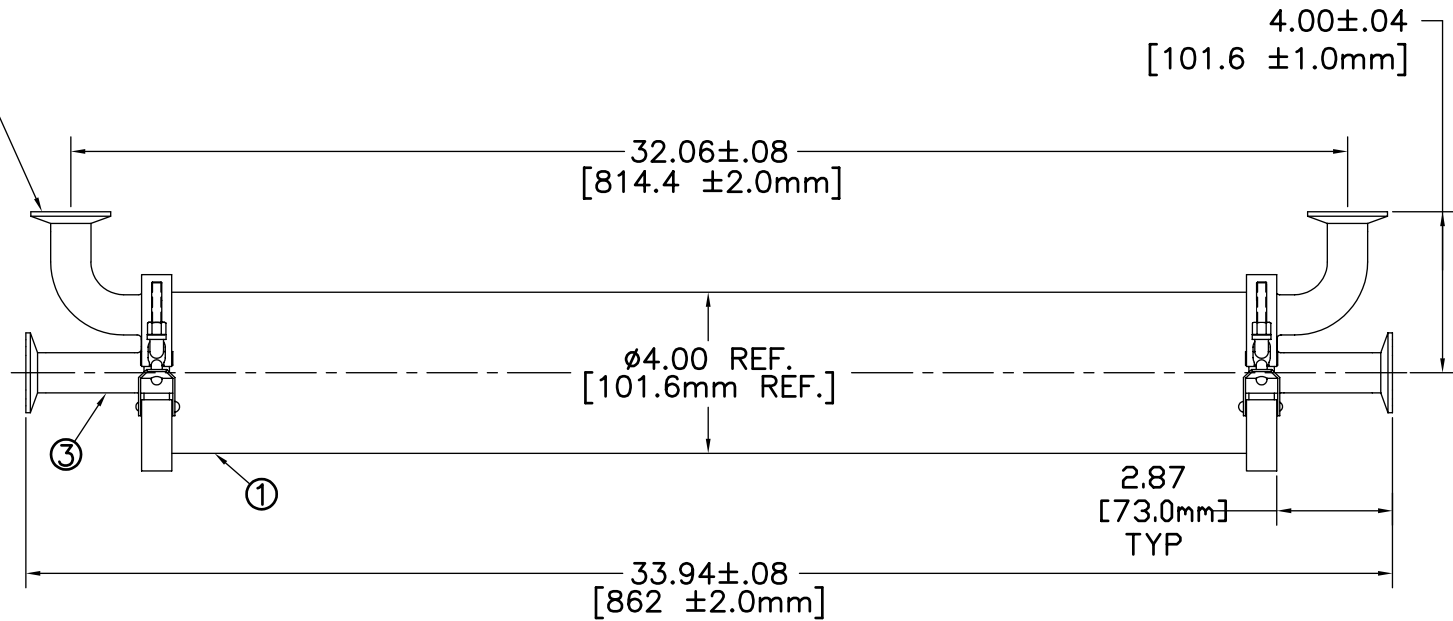
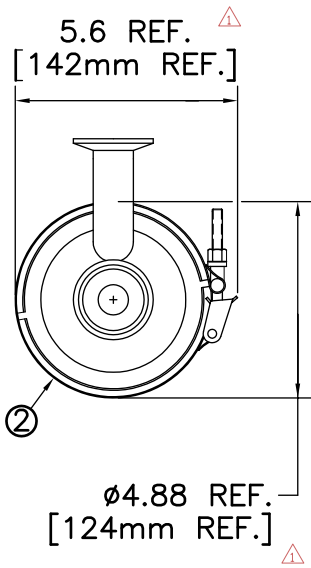


1" SANITARY FLANGE  
4 PLACES



NOTE A: IMPORTANT TOLERANCES FOR THE DIMENSIONS OF THIS ASSEMBLY ARE SHOWN. DIMENSIONS DESIGNATED AS "REF" ARE DEPENDENT ON GENERALLY AVAILABLE ITEMS OF COMMERCE: DIMENSIONAL TOLERANCES ARE NOT SHOWN FOR SUCH DIMENSIONS.

REV	DESCRIPTION	CHG	CHK	APVD	APVD	D	R
1	ADDED METRIC AND REF. NOTE	RHC				10-11-96	
2	NEW BORDER	RHC				11-1-99	

MEMBRANA  
MEMBRANA  
Underlining Performance

DO NOT SCALE THIS DRAWING		THIRD ANGLE PROJECTION		DRAWN BY RHC		3-8-96		APPROVED FOR CONSTRUCTION		SHEET NO 1 OF 1		DRAWING NUMBER	
RFA NO		CA NO		CHECKED BY		APPROVED BY		SUPERSEDED BY		SCALE NONE		SMC-0104-12-2385	
APPROVED BY		APPROVED BY		APPROVED BY		APPROVED BY		APPROVED BY		PLAN FILE NO		POCKET NO	
APPROVED BY		APPROVED BY		APPROVED BY		APPROVED BY		APPROVED BY		FOLDER NO		REVISION 2	
DRAWING TITLE 4 X 28 S.S. HOUSING W/1" SANITARY PORTS												DRAWING NUMBER	

REF MACHINE