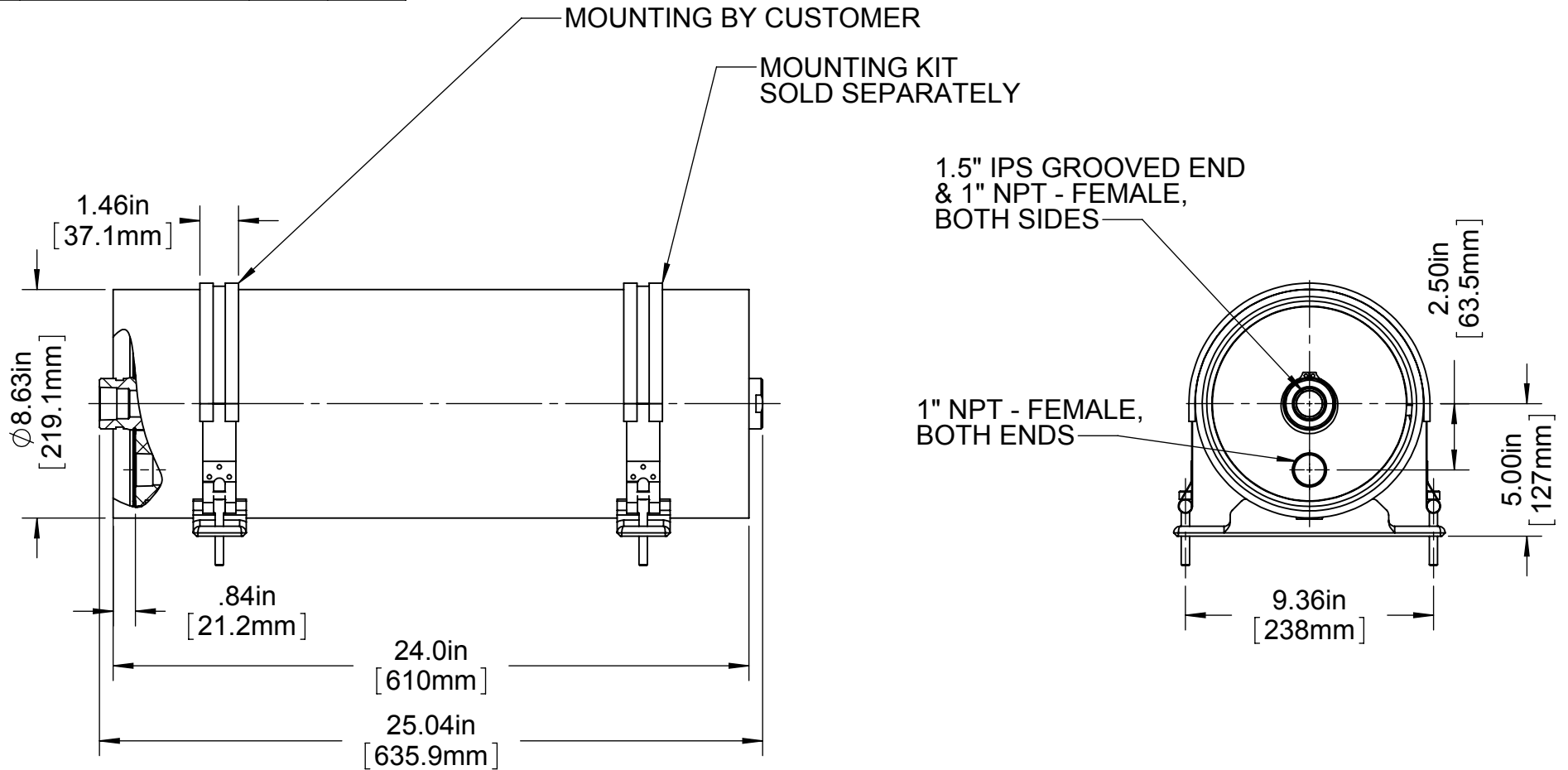


| REV. | DESCRIPTION | DATE      | APPR. |
|------|-------------|-----------|-------|
| 1    | NEW DRAWING | 3/10/2011 | GPT   |



|   |   |  |                          |                 |      |         |
|---|---|--|--------------------------|-----------------|------|---------|
| <p><b>CONFIDENTIAL</b></p> <p>THE INFORMATION CONTAINED IS CONFIDENTIAL. SUCH INFORMATION IS THE PROPERTY OF MEMBRANA AND MAY NOT BE USED BY, OR DISCLOSED TO OTHERS WITHOUT WRITTEN CONSENT OF MEMBRANA. THE INFORMATION CONTAINED HEREIN MAY NOT BE USED FOR ANY PURPOSE OTHER THAN THE EXPRESSED INTENT FOR WHICH IT WAS LENT.</p> <p>©2011 Membrana-Charlotte. All rights reserved.</p> <p><b>MEMBRANA</b><br/><b>MEMBRANA</b><br/><b>Underlining Performance</b></p> | UNLESS OTHERWISE SPECIFIED:   |  | SCALE: 1:6               | NAME            | DATE |         |
|   | DIMENSIONS IN INCHES<br>TOLERANCES:<br>FRACTIONAL ±.06<br>ANGULAR: ±1°        | DIMENSIONS IN MILLIMETERS<br>TOLERANCES:<br>ANGULAR: ±1°<br>ZERO PLACES ±1.5<br>ONE PLACE ±.5<br>TWO PLACES ±.12 | WT:                      | DRAWN           | GPT  | 3/10/11 |
|   | ONE PLACE DECIMAL ±.06<br>TWO PLACE DECIMAL ±.02<br>THREE PLACE DECIMAL ±.005 |  | Purchase Spec:           | ENG APPR.       |      |         |
|   | INTERPRET GEOMETRIC TOLERANCING PER: ANSI Y14                                 | SIZE <b>A</b>  | TITLE:<br>8X20 CONTACTOR | MFG APPR.       |      |         |
| MATERIAL  | PART NO.  | DWG. NO.<br><b>SMC-0108-12-8025</b>  | SHEET<br>1 OF 1          | REV<br><b>1</b> |      |         |
| DO NOT SCALE DRAWING  |   |  |                          |                 |      |         |